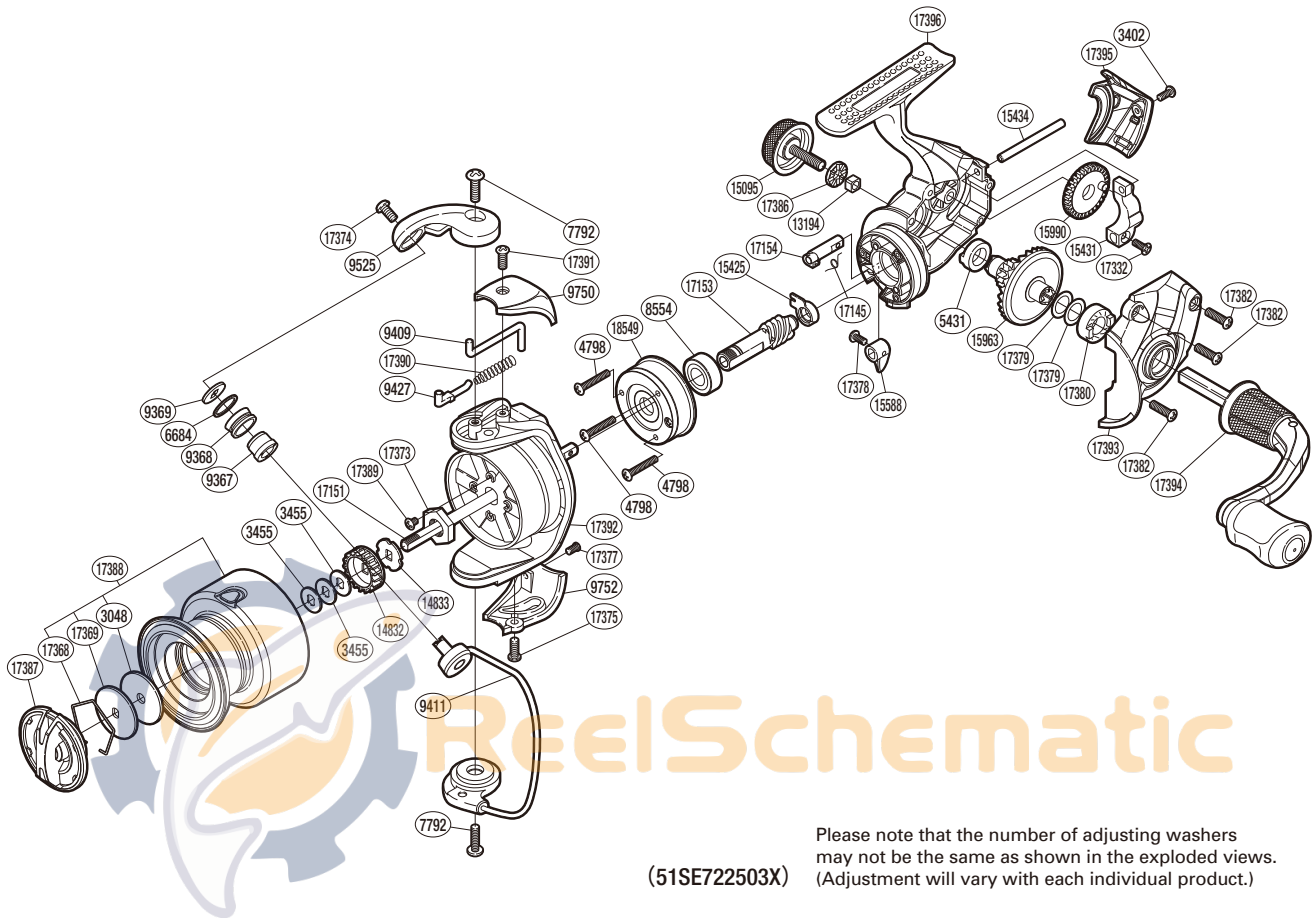


SHIMANO

SIENNA

SN-2500FE



Please note that the number of adjusting washers may not be the same as shown in the exploded views. (Adjustment will vary with each individual product.)

(51SE722503X)

Part No.	Description	Part No.	Description	Part No.	Description
RD 3048	Drag Washer	RD14833	Spool Support B	RD17378	Screw
RD 3402	Screw	RD15096	Handle Screw Cap	RD17379	Washer
RD 3455	Spool Washer	RD15425	Pinion Gear Bushing	RD17380	Drive Gear Bushing
RD 4798	Screw	RD15431	Oscillating Slider	RD17382	Screw
RD 5431	Drive Gear Bushing	RD15434	Oscillating Guide	RD17386	Handle Screw Cap Spacer
RD 6684	Line Roller Spacer	RD15588	Anti-Reverse Lever	RD17387	Drag Knob
RD 7792	Screw	RD15963	Drive Gear	RD17388	Spool Assembly
RD 8554	Ball Bearing	RD15990	Oscillating Gear	RD17389	Screw
RD 9367	Line Roller Bushing	RD17145	Anti-Reverse Cam Spring	RD17390	Bail Spring
RD 9368	Line Roller	RD17151	Main Shaft	RD17391	Screw
RD 9369	Line Roller Washer	RD17153	Pinion Gear	RD17392	Rotor
RD 9409	Bail Trip Lever	RD17154	Anti-Reverse Cam	RD17393	Side Cover
RD 9411	Bail Assembly	RD17332	Screw	RD17394	Handle Assembly
RD 9427	Bail Spring Guide	RD17368	Drag Washers Retainer	RD17395	Rear Protector
RD 9525	Bail Arm	RD17369	Key Washer	RD17396	Body
RD 9750	Bail Spring Cover	RD17373	Rotor Nut	RD18549	Roller Clutch Assembly
RD 9752	Bail Hold Support Guard	RD17374	Screw		
RD13194	Handle Screw Lock	RD17375	Screw		
RD14832	Spool Support A	RD17377	Screw		